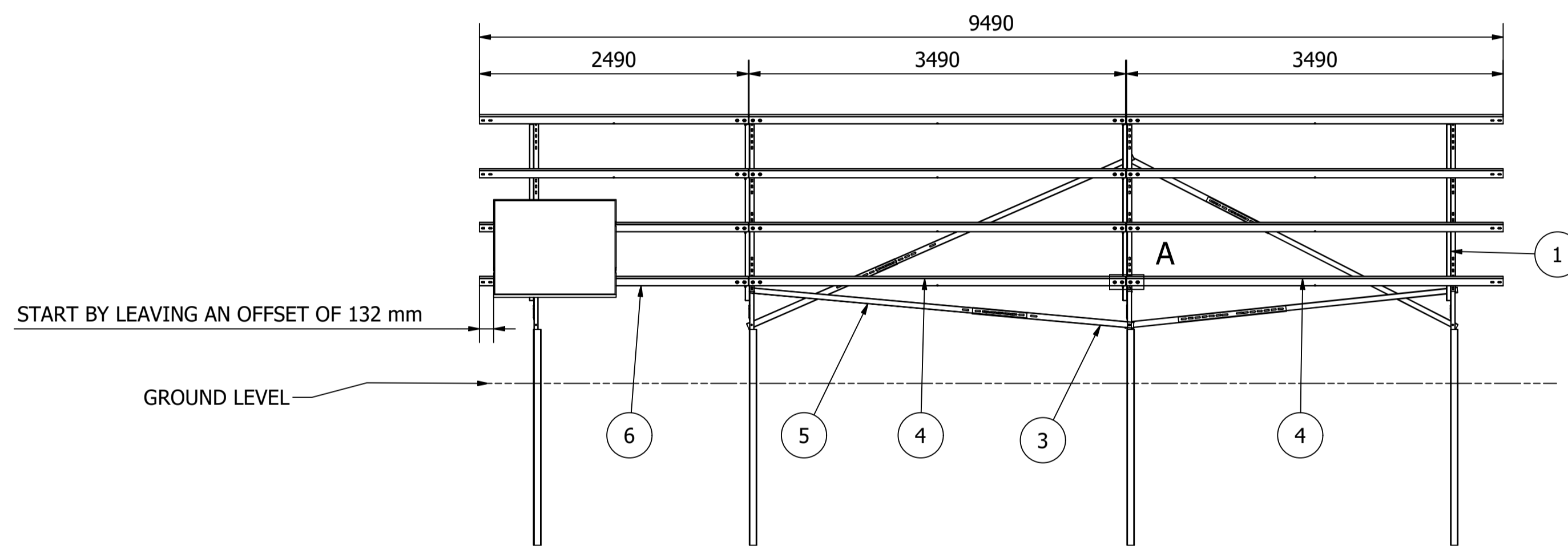
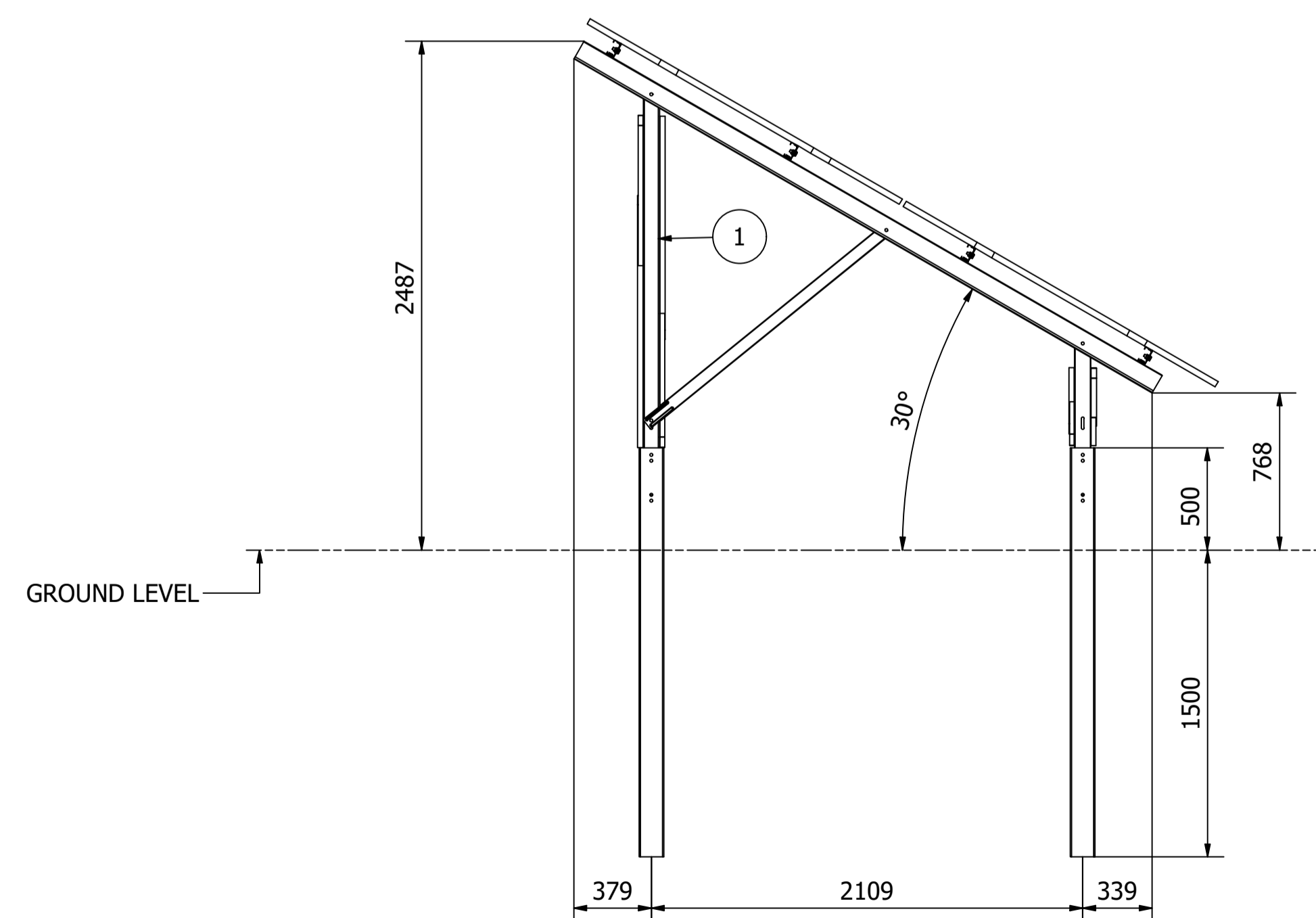


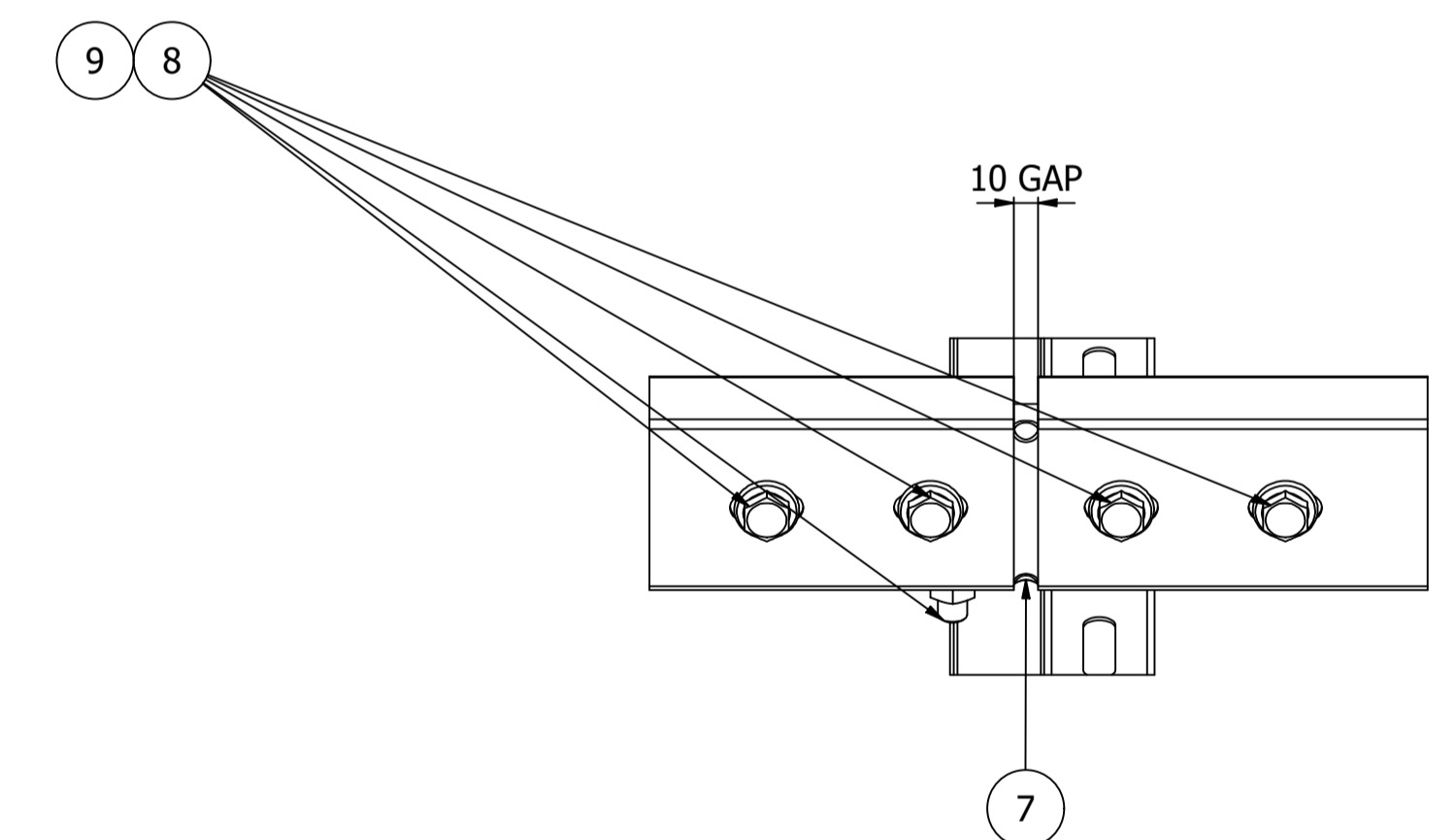
PLAN VIEW
SHOWING PILE POSITIONS



FRONT VIEW
SHOWING PURLIN POSITIONS



SIDE VIEW
NOT TO SCALE
SHOW UPRIGHT POSITIONS



DETAILED VIEW A (1 : 3)
TYP ALL POSNS

IMPORTANT NOTE:

- PANEL CLAMPING ZONE ADHERENCE IS THE RESPONSIBILITY OF INSTALLER PURLIN POSITION CAN BE ADJUSTED TO SUIT PANEL MANUFACTURER'S CLAMPING ZONE REFER TO THE PANEL MANUFACTURER SPECIFICATIONS FOR CLAMPING INFORMATION.
- DRAWING DOES NOT INCLUDE BRACINGS, PLEASE REFER TO THE INSTALLATION GUIDE.

PARTS LIST			
ITEM	QTY	PART NUMBER	DESCRIPTION
1	4	2 in P - UPA - ADS	
2	16	2 In P - Solar Panel	
3	4	0000-WBR-001	External Wind Brace 57x26x1.45mm 1500L
4	8	1261-PUR-3490	GM PURLIN 80x40x1.45 3490L
5	4	0000-WBR-005	Internal Wind Brace 51x29x1.45mm 2600L
6	4	1261-PUR-2490	GM PURLIN 80x40x1.45 2490L
7	8	0000-JRC-105	GM COMMON JOINER 75x34x20x1.45 300L
8	40	SPS - M12 x 26	Hexagon Serrated Flange Bolt
9	40	SPS - M12	Serrated Flange Nut

<p>All Dimensions are in Millimeters</p> <p>For Drawing Requirements, Refer to W1-08-03-01 Design Manual</p> <p>Tolerances (U.O.S.): Linear ±2.0mm Angular ±1.0°</p> <p>Fabrication Structural Framework Designed I.A.W. EN 1991-1-4:2005+A1</p> <p>Manufacturing Material Lengths ±1.0mm Holes & Slots (Size and positioning) ±0.5mm Angular ±1.0°</p> <p>Design Code: EN 1990:2002+A1, EN 1991-1-4:2005+A1, Parts 1, 3 & 7 (Eurocodes)</p>		<p>Debur and Break all Sharp Edges 0.3mm</p> <p>IF IN DOUBT, ASK!</p> <p>Material: AS PARTS</p> <p>Finish: AS PARTS</p> <p>Weight: N/A</p>	<p>ECR No. N/A</p> <p>Description of Change: First drawing, initial issue</p> <p>Date of Change: 09/05/2025</p> <p>Drawn By: ME</p> <p>Checked By: ND</p>	<p>SOLARPORT Solarport Systems Ltd The Cove, Gore Cross Business Park Bridport Dorset DT6 3PH.</p> <p>Tel: +44 (0)1308 800 501 e: info@solarportsystems.com w: www.solarportsystems.com</p>	<p>Title: 2x8- Piled 2m</p> <p>Drawing No.: Modular Library</p> <p>Project No.: M231261</p> <p>Revision: 1</p> <p>Scale: 1 : 40</p> <p>Sheet 1 of 1</p>
---	--	---	--	--	---